

इंटरनेट

मानक

Disclosure to Promote the Right To Information

Whereas the Parliament of India has set out to provide a practical regime of right to information for citizens to secure access to information under the control of public authorities, in order to promote transparency and accountability in the working of every public authority, and whereas the attached publication of the Bureau of Indian Standards is of particular interest to the public, particularly disadvantaged communities and those engaged in the pursuit of education and knowledge, the attached public safety standard is made available to promote the timely dissemination of this information in an accurate manner to the public.

“जानने का अधिकार, जीने का अधिकार”

Mazdoor Kisan Shakti Sangathan

“The Right to Information, The Right to Live”

“पुराने को छोड़ नये के तरफ”

Jawaharlal Nehru

“Step Out From the Old to the New”

IS 9092 (1979): Tent Pins for Mountaineering [PGD 27: Mountaineering Equipment]



“ज्ञान से एक नये भारत का निर्माण”

Satyanarayan Gangaram Pitroda

“Invent a New India Using Knowledge”



“ज्ञान एक ऐसा खजाना है जो कभी चुराया नहीं जा सकता है”

Bhartrhari—Nitiśatakam

“Knowledge is such a treasure which cannot be stolen”

BLANK PAGE





Indian Standard

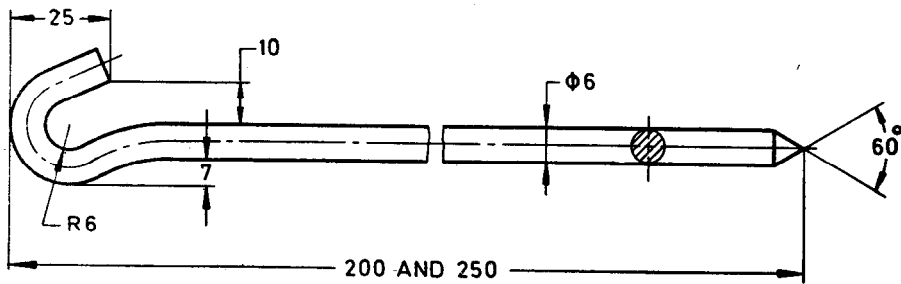
SPECIFICATION FOR
TENT PINS FOR MOUNTAINEERING

1. **Scope** — Lays down the requirements for five types of tent pins for mountaineering.

2. **Dimensions**

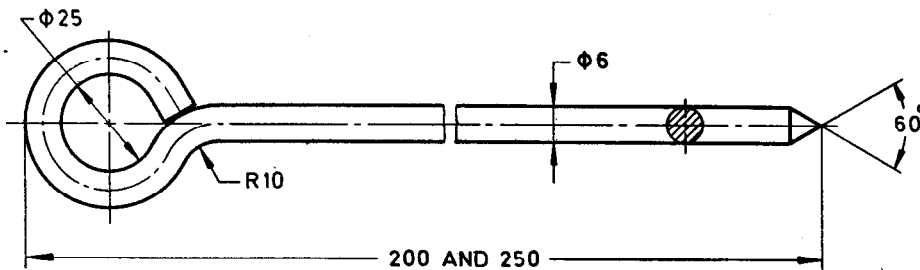
2.1 *Tent Pin, Type A*

All dimensions in millimetres.



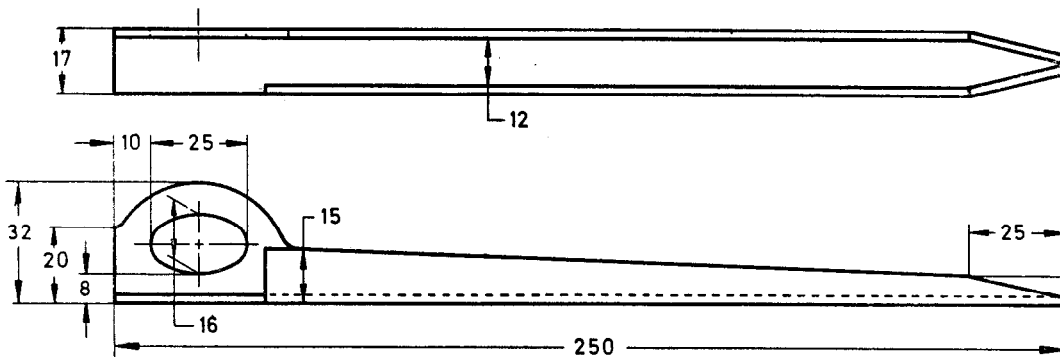
2.2 *Tent Pin, Type B*

All dimensions in millimetres.



2.3 *Tent Pin, Type C*

All dimensions in millimetres.

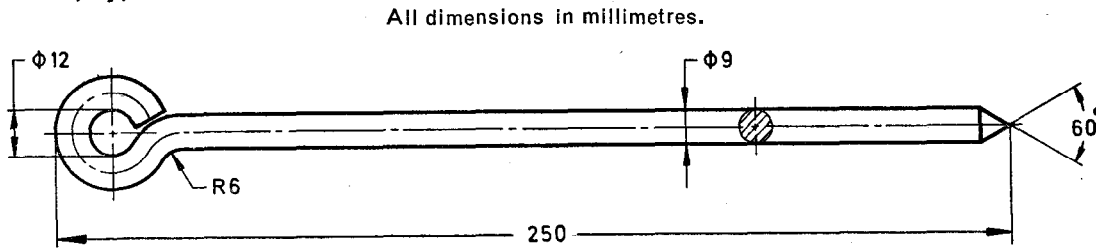


Adopted 26 March 1979

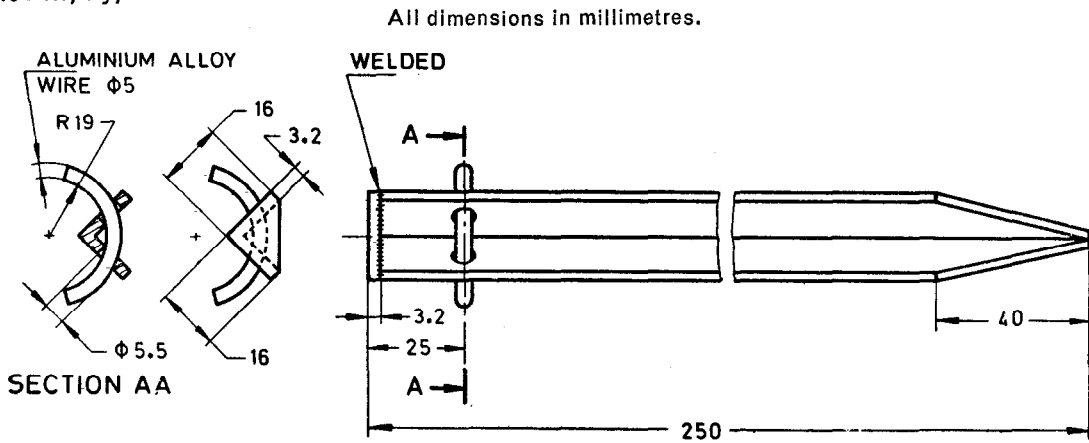
© June 1979, ISI

5.00

2.4 Tent Pin, Type D



2.5 Tent Pin, Type E



3. Material — The material for tent pins for Types A and B shall conform to T50 of IS : 1570-1961 'Schedules for wrought steels for general engineering purposes'. The tent pins of Types C, D and E shall be manufactured from aluminium alloy 64430 WP of IS : 733-1975 'Specification for wrought aluminium and aluminium alloy bars, rods and sections (for general engineering purposes) (second revision)'.

4. Hardness — 400 to 450 HV for tent pins of Types A and B.

5. Mass

Type	Mass, Max
A	77
B	90
C	62
D	35
E	50

6. Workmanship and Finish — The head of the tent pin shall be soundly formed. The tent pins shall be free from cracks, pits, rust, flaws and other defects. All sharp edges shall be removed.

6.1 The tent pins of Types C, D and E may be given anodic coating to Grade AC15 of IS : 1868-1968 'Specification for anodic coatings on aluminium (first revision)'.

7. Testing — The pin shall be hammered into stoney ground up to half the length using 1-kg hammer. The pin shall then be removed. This process shall be repeated five times. During or on completion of the test, the pin shall not show any sign of damage or distortion.

8. Marking — Each tent pin shall be legibly and indelibly stamped or marked with the manufacturer's name or recognized trade-mark. The tent pins shall be packed in accordance with the best prevalent trade practices.

8.1 ISI Certification Marking — Details available with the Indian Standards Institution.

EXPLANATORY NOTE

While preparing the standard assistance has been derived from the drawings issued by Defence Materials and Stores Research and Development Establishment, Kanpur.